

Further installation notes and advice  
for

# ECO Range T<sup>3</sup>



**Log Wood burning**  
**Thornhill Turbo Technology**  
**Three Oven Cooker**



All regulations are in Document J, which can be down loaded for free @ [https://www.gov.uk/government/uploads/system/uploads/attachment\\_data/file/468872/ADJ\\_LOCKED.pdf](https://www.gov.uk/government/uploads/system/uploads/attachment_data/file/468872/ADJ_LOCKED.pdf) The following is to help you achieve these rules & regs.

There are 3 areas to check prior to delivery:

1: Floor

2: Chimney

3: Air supply

3: Cupboards and work tops

## **Floors:**

The floor/hearth under the cooker must be constructed on non-flammable material at least 20mm thick.

The floor should be at the same level or higher than the rest of the floor.

If the floor is to be tiled, this should be done first, not after the cooker is in place as it is lower than and impossible to get out/move without damaging tiles.

If the floor is to be wood or other flammable material then the area under the cooker should be tiled or a slab of stone laid, so that it ends up slightly higher than the surrounding floor and should extend 9" (225mm) in front of the cooker.

**A good minimum size for the hearth area is 1,300mm wide by 900 deep.**

## **Flueing:**

Any chimney should be lined with a suitable 6"/150mm liner, terminating at a register plate. The liner should then have a 'Register plate adaptor' at the bottom ready to take the virtuous enamel flue pipe.

We recommend Flue Supplies, see [www.fluesupplies.com](http://www.fluesupplies.com) 6" Register plate adaptor.

The top of the chimney should have a Bird guard/rain cap terminal.

If you are in a windy area or surrounded by tree or high building, down draft might be a problem, we recommend Vedette cowls not the spinning ones which can cause excessive draw.



Stone fire place with brick chimney lined with 6" (150mm) flex. liner finished with a register plate adaptor. The gloss flue pipe slips over the outside of this. When finished it please email the height for the plate to the floor, so we can work out what flue pipe to bring.

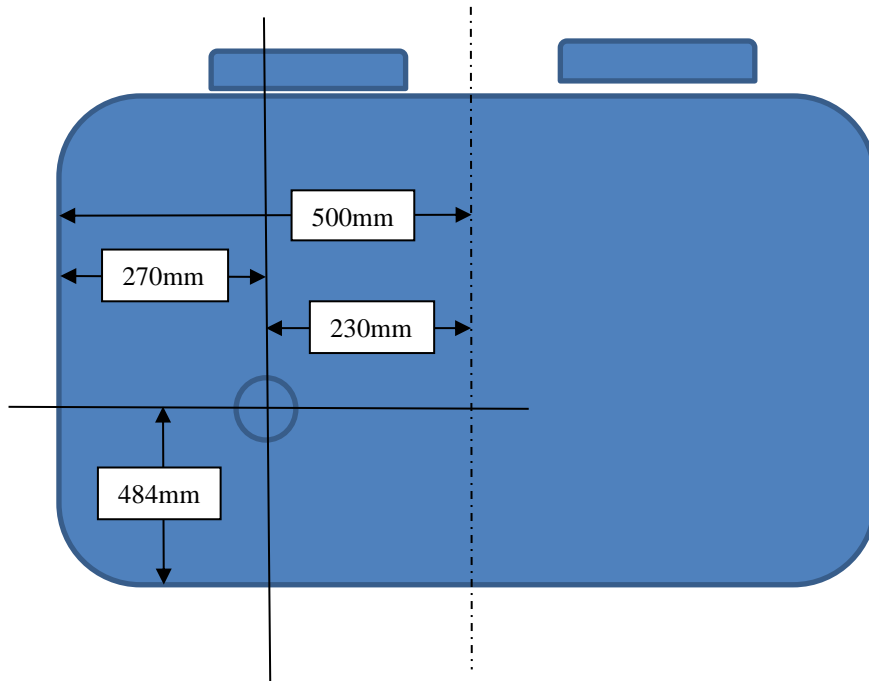
If it is a twin wall stainless chimney then there should be an appliance adaptor at the bottom which will have a similar spigot hanging down.

### **Air Supply:**

All burning hydrocarbons need air/oxygen to combust and this is taken from the room. As it is 5Kw cooker, unless the house is very new, it will not require an air vent by law, however:

- 1/ Kitchen always need an air supply or they can get damp/condensation.
- 2/ Often an extractor fan is fitted to stop the condensation, but this is also sucking air from the room, so an air vent is essential or the more powerful fan can suck the smoke down the chimney and out into the room. Yes, this does happen, and is a real problem in Restaurants & Pubs, where they have very powerful fans. The bigger the fan the larger the air vent required, look at a minimum 150cm sq. vent if you want a fan.

The air vent can be fitted anywhere in the room, but if you are siting the cooker on an outside wall it's always best to use a vent directly behind the cooker directed into the cooker helping to balance the electric fan.



This diagram shows the position of the air inlet on the wood 3 oven cooker.

This diagram is **looking from the front**; the air inlet is behind the fire box on the left hand side of the cooker.

The hole should be core drilled 115mm, and sleeved with 100mm tube. We can supply a short length of tube and vent cover.

## Electric Supply for 5 oven

A 40-amp cooker supply is required for the electric ovens, grill and induction hobs. A cooker switch should be located in a convenient position, but not so you have to lean over a hot cooker to turn it off.



A 6mm Twin & Earth cable should lead to the left-hand side of the cooker. Again, you must email if the RHS is more convenient.

The cooker will come with a short length of 6mm, so if you can arrange a cooker outlet



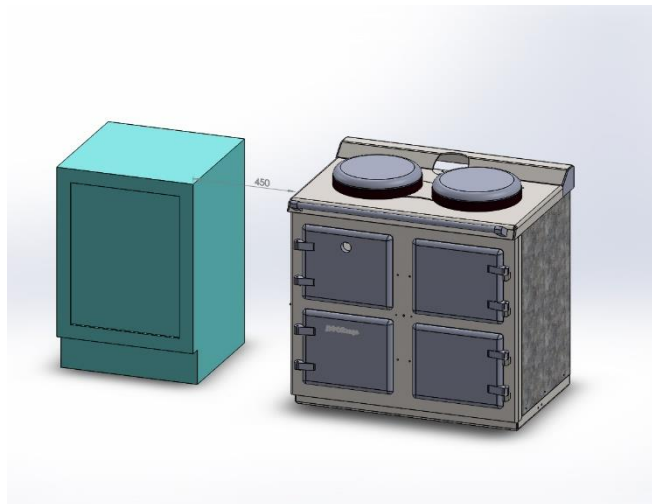
on the wall nearby (usually about 3” of the floor) the cooker can be connected to this.

## **Cupboards and work tops.**

The 3 oven wood fire range is a wood burning stove with oven designed to be very hot, with the oven 200C and the hot plate around 250C. So there is a fire risk and the cooker must be installed the same as a wood stove.

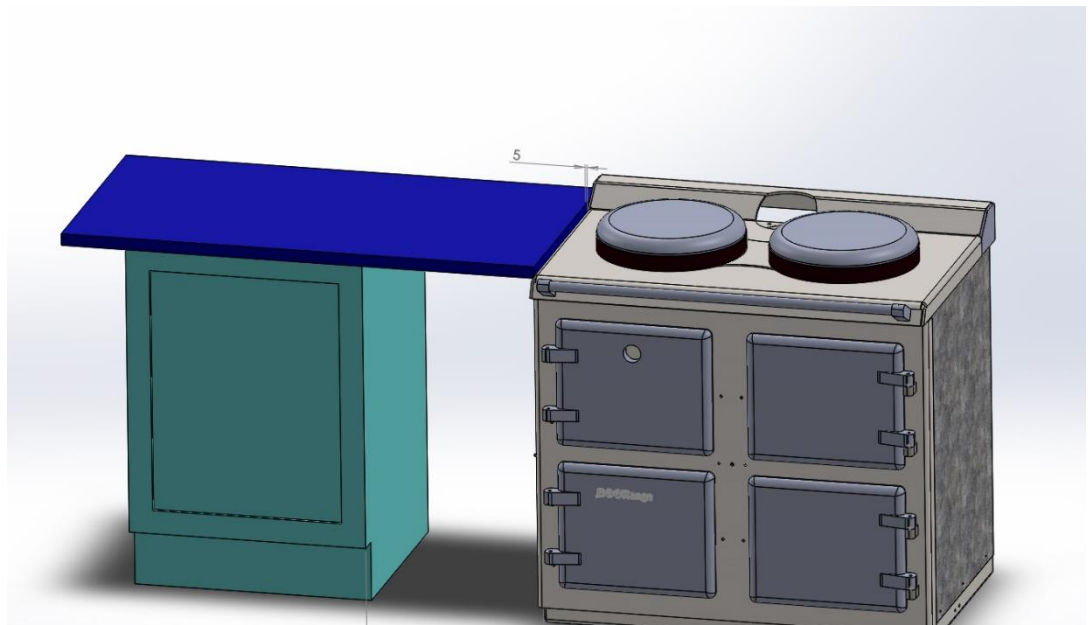
This mean there must be no flammable material near the cooker sides or back unless they are insulated with fireproof insulation.

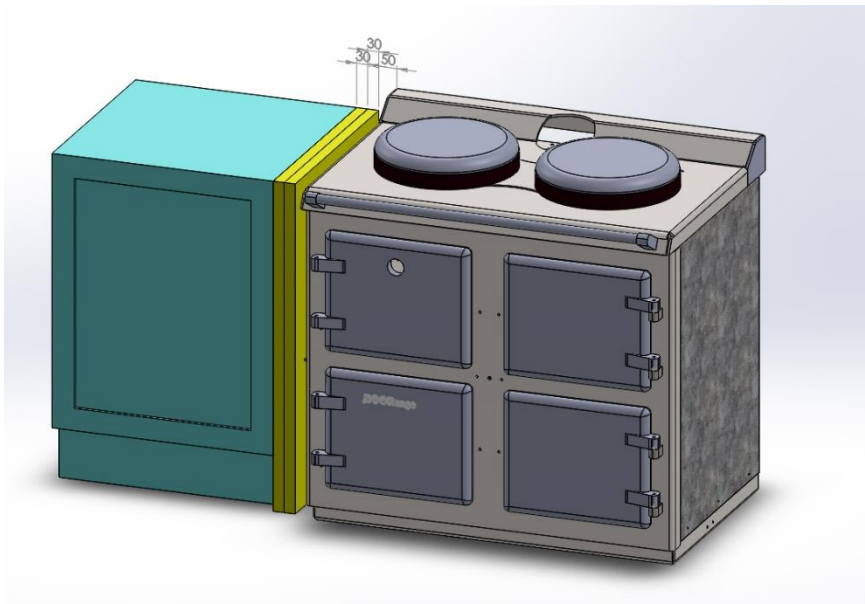
The testing for CE certification measure the distance of the back and LHS to flammable materials and so the nearest a cupboard should be to the left is 14” (35cm) and from the back wall 8” (20cm). The right hand side is not a problem as the ovens are there already giving you 50cm.



Minimum 350mm on left hand/firebox side of cooker to nearest cupboard or flammable material.

If the worktop is Granite or similar it can taken right up to the cooker, but leaving at least a 5mm gap for expansion.

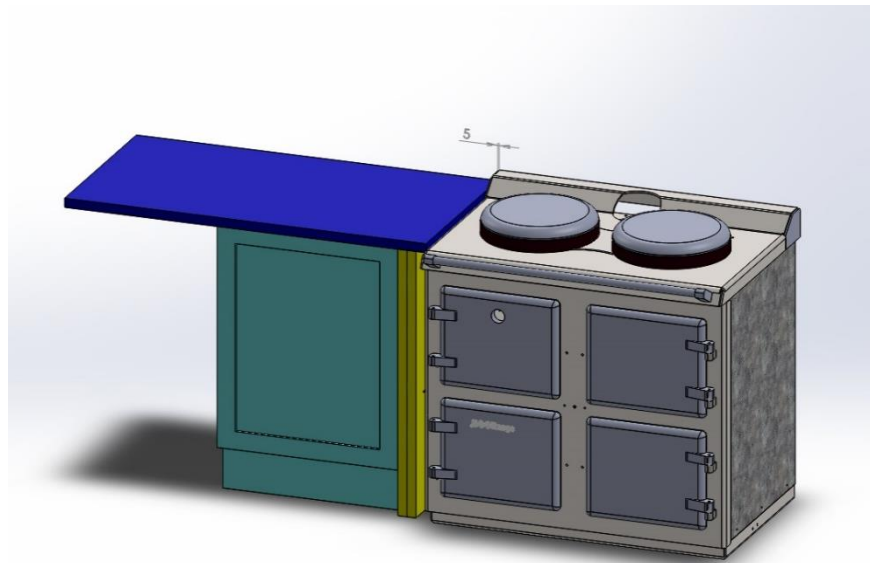




If you want to bring the cupboards closer, then you must add insulation about 75mm thick. We recommend a material called calcium silicate boards which is very effective and we can supply 100cm by 90cm boards. These are 30mm thick.

You must still leave a 50mm gap to the cooker for air supply and cooling. Alternatively, a small brick stud wall can be built.

The work top can be taken up to the cooker still, but leave a minimum 5mm gap for expansion. If the work top is Formica, wood or other flammable material, you should leave the 350mm gap.



If in doubt email and please send picture when ready showing the register plate adaptor spigot with some dimension so we can work out what flue pipe to bring with us.

'Thornhill Turbo Technology' is the patented clean burning 'engine', used under license in these cookers.

ECO Range Cookers

60 Wincheap, Canterbury

Kent, CT4 5RS