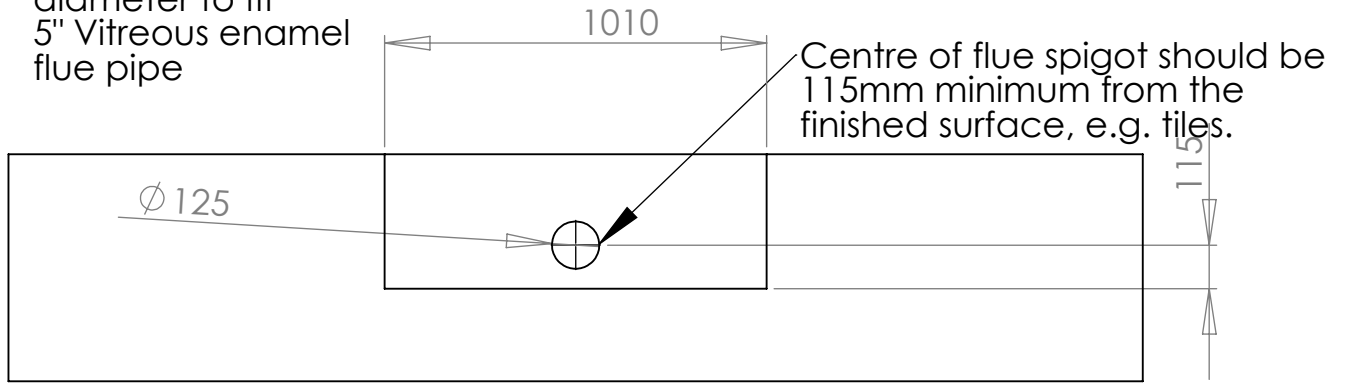
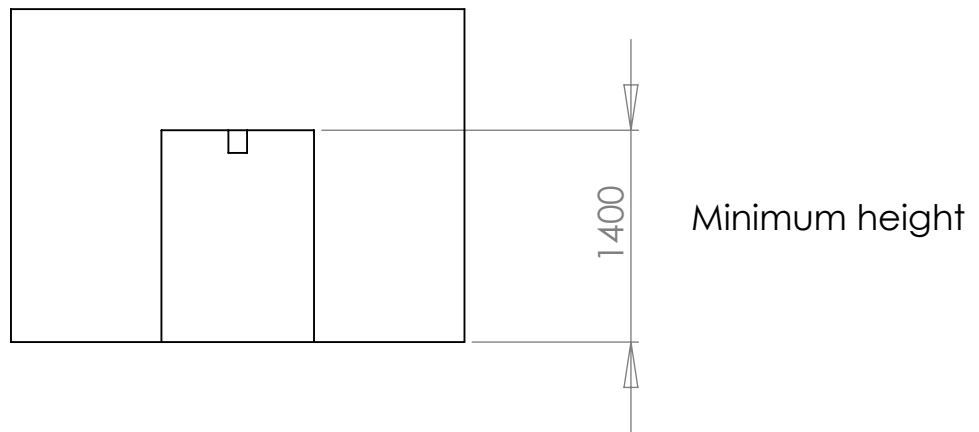
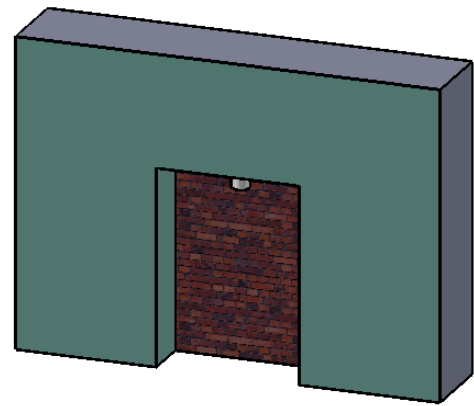


Flue spigot 125mm diameter to fit 5" Vitreous enamel flue pipe



Minimum width of opening to non flammable surfaces 1010mm.
Minimum height to clear lid handle when opening 1,400mm.



UNLESS OTHERWISE SPECIFIED:
DIMENSIONS ARE IN MILLIMETERS
SURFACE FINISH:
TOLERANCES:
LINEAR:
ANGULAR:

FINISH:

DEBUR AND
BREAK SHARP
EDGES

DO NOT SCALE DRAWING

REVISION

	NAME	SIGNATURE	DATE		
DRAWN					
CHK'D					
APPV'D					
MFG					
Q.A				MATERIAL:	
				WEIGHT:	

TITLE:	
DWG NO.	5 inch flue diagram ^{A4}
SCALE:1:50	SHEET 1 OF 1